

**IMPORTANT WARRANTY INFORMATION PLEASE READ
FILL OUT AND RETURN ENCLOSED WARRANTY CARD**

THIS WARRANTY COVERS:
LEM 517 **Big Bite** 3-in-1 attachment
THE WARRANTY IS EXTENDED TO THE ORIGINAL PURCHASER ONLY

WARRANTY DURATION: This product is warranted to the original purchaser for a period of two (2) years from the original purchase date. **EACH UNIT COMES WITH A WARRANTY CARD, WHICH MUST BE FILLED OUT COMPLETELY AND RETURNED IMMEDIATELY, WITH A COPY OF THE PURCHASING RECEIPT. FAILURE TO RETURN YOUR WARRANTY CARD WILL LIMIT WARRANTY TO 90 DAYS WITH PROOF OF PURCHASE.**

WARRANTY COVERAGE: This product is warranted against defective materials or workmanship. The warranty is void if the product has been damaged by accident, misuse, neglect, modification or improper service or repairs by unauthorized personnel. It is also void if damaged in shipment or by other causes not arising out of defects in the materials or workmanship. This warranty does not extend to any units which have been in violation of written instructions furnished. This warranty covers only the product and its specific parts, not food or other products processed in it.

WARRANTY DISCLAIMERS: This warranty is in lieu of all warranties expressed or implied, and no representative or person is authorized to assume any other liability in connection with the sale of our products. There shall be no claims for defects or failure of performance under any theory of sort, contract or commercial law including, but not limited to negligence, gross negligence, strict liability or breach of contract. The manufacturer declines all responsibility for damage to persons, things or animals arising from the failure to comply with the norms contained in this manual. The manufacturer reserves the right to make modifications at anytime to the models while maintaining the main characteristics described herein. The manufacturer also declines all responsibility for any errors in compiling this manual.

WARRANTY PERFORMANCE: During the warranty period, a product with a defect will either be repaired or replaced after the product has been inspected by an LEM Service Technician. **LEM RESERVES THE RIGHT TO REFUSE WARRANTY PERFORMANCE OR PRODUCT EVALUATION UNLESS THE ORIGINAL SALES RECEIPT OR THE WARRANTY CARD IS ON FILE.** The repaired product will be in warranty for the balance of the warranty period. No charge will be made for such repair or replacement.

IMPORTANT NOTICE: If any parts are missing or defective, please contact our Customer Service Department for assistance at 877-536-7763 (M-F 8:30am to 4:30pm EST). **DO NOT RETURN TO THE STORE WHERE THE PRODUCT WAS PURCHASED.** LEM Products is not responsible for, or will not cover under warranty, missing or damaged parts on discounted/clearance, resale or final sale items where the seller may not be able to guarantee full functionality or completeness of the unit.

LEM PRODUCTS MERCHANDISE RETURN POLICY WARRANTY SERVICE: To obtain service under terms of this warranty, please contact us at 877-536-7763 to obtain authorization prior to returning the merchandise. No merchandise will be accepted without prior authorization. Prior to returning the product for warranty repair the product must be thoroughly cleaned and free from any food particles or other debris. Failure of the purchaser to comply with this standard may result in the unit being returned without repair. In some cases, a \$50 cleaning surcharge may apply. Please return the product prepaid in the original packaging if possible, enclose a copy of your receipt, (keep a copy of your proof-of-purchase for your records) and include a written explanation of the issue. Ship to LEM Products, 4440 Muhlhauser Road, Suite 300, West Chester, OH 45011. LEM Products is not responsible for damage incurred in shipping, make certain to pack product properly. Return shipping charges are the responsibility of the purchaser. Packages returned to LEM should be insured for the value of the product to cover any damages that may occur during shipping.

Revised October 18, 2017

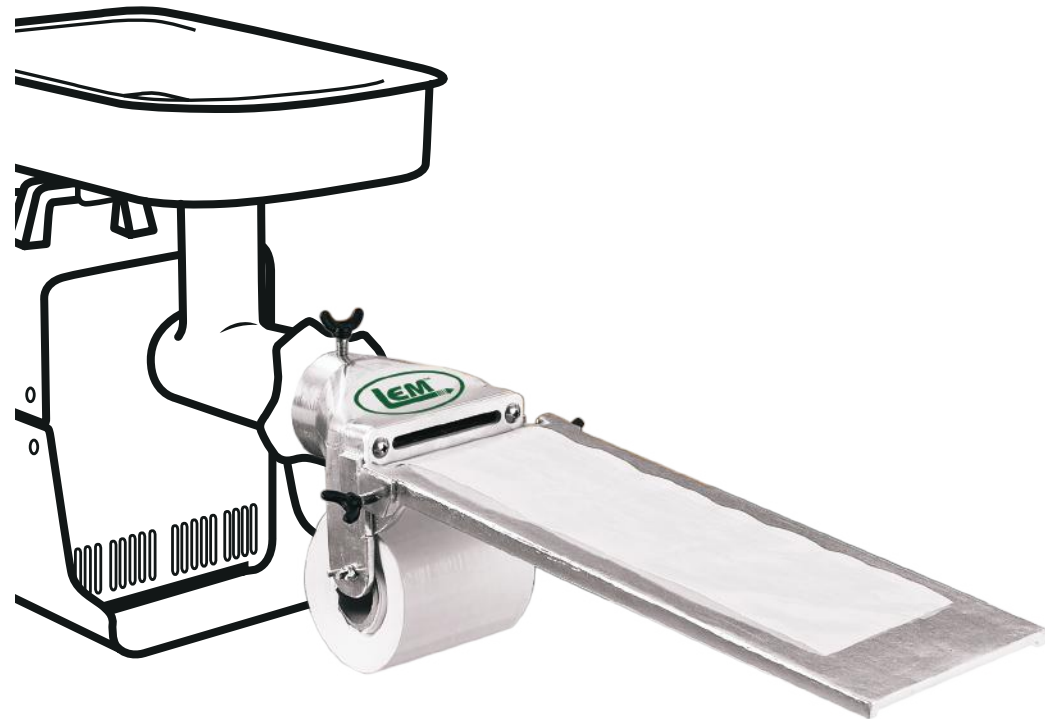


BIG BITE®

3-IN-1 ATTACHMENT

USE & MAINTENANCE

517



**2YEAR
WARRANTY**

! CAUTION !

Before using the attachment for the first time please make sure to read carefully and thoroughly through these operating instructions and the safety advice. Familiarize yourself completely with the functions of this product.

! GENERAL WARNINGS AND SAFETY INFORMATION !

1. Always ensure that the product is properly assembled and safely set up before use. Read assembly instructions in manual.
2. The product is designed exclusively for domestic use and not for commercial purposes.
3. Keep your work area clean and well lit. Cluttered work benches and dark work areas may cause accidents or injury.
4. Handle carefully! Keep fingers and loose objects away from moving parts.
5. Tie back loose hair and clothing. Remove neckties, rings, watches, bracelets and all other jewelry before operating the unit.
6. Use the product with the supplied accessories only. **WARNING:** The use of attachments not recommended or sold by the manufacturer may cause injury, damage to personal property, and may void your warranty.
7. **WARNING:** Do not use while under the influence of alcohol or drugs (prescription or nonprescription) as these may impair user's ability to properly assemble or safely operate the product.
8. Thoroughly hand-wash all removable parts in warm soapy water prior to use. Do not soak. **NOT DISHWASHER SAFE** (discoloration may occur).
9. Use product on a level, stable surface to prevent tipping. Never move the product while unit is in use.
10. **CAUTION:** This product is not recommended for use near or by children or persons with certain disabilities without proper supervision. Set up and store the product out of reach of children. When not in use, store device in a secure dry place out of reach of children.
11. The manufacturer declines any responsibility in the case of improper use of this product. Improper use of this product voids the warranty.
12. **WARNING:** The warnings, cautions, and instructions discussed in this instruction manual cannot cover all possible conditions or situations that could occur. It must be understood by the operator that common sense must be used.

13. SAVE THESE INSTRUCTIONS

ASSEMBLY AND USAGE

NOTE: If you grind your meat or sausage only one time, assemble the patty maker and attach it to the grinder before you start grinding. If you grind twice, attach the patty maker before the second grind.

1. Remove the retaining ring from the grinder.
2. Mount the patty maker head to the adapter and secure it with the winged bolts.
3. Place the meat chute in position and secure it with the winged bolts.
4. Attach the waxed paper roll to the patty machine head using the paper rod and winged nuts. Thread the paper between the patty machine and the meat chute. (Make sure the paper unrolls counter-clockwise from back of roll, wax side up onto the chute.)
5. Pull the paper down the tray about 3". Start grinding. The extruded meat will push the paper down the tray.
6. When the meat reaches the end of the tray stop the grinder. Use the scissors to cut patties to desired size or cut full length and cut to size later. A fast and easy way to have patties all the same size is to run out full-length patty strips, cut and stack 4 or 5 strips, then cut to size with an electric knife.
7. To change plates to make 3/8" patties, jerky strips or snack sticks, screw the selected plate onto the head with two plate attaching screws.

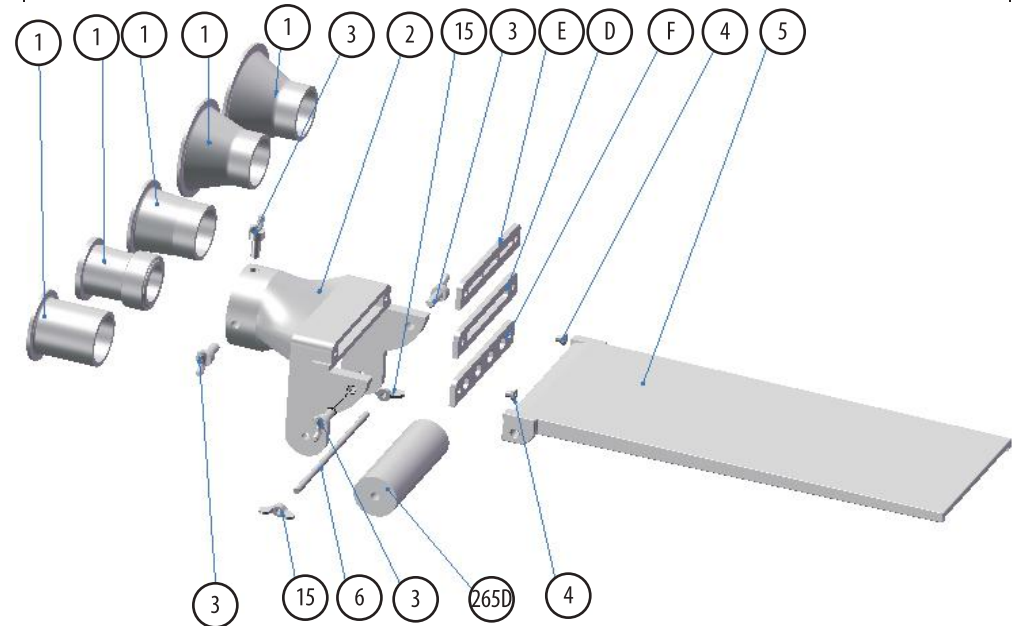


Diagram No.	Part
1	#8 Grinder Adapter
	#5 Grinder Adapter
	#12 Grinder Adapter
	#22 Grinder Adapter
2	Patty Maker Head
3	Winged Bolt (4)
4	Plate Attaching Screw (2)
5	Meat Chute
6	Paper Rod
7	Scissors (Not Shown)
15	Wing Nut
265D	Waxed Paper
D	3/8" Patty Plate
E	Jerky Plate
F	Snack Stick Plate